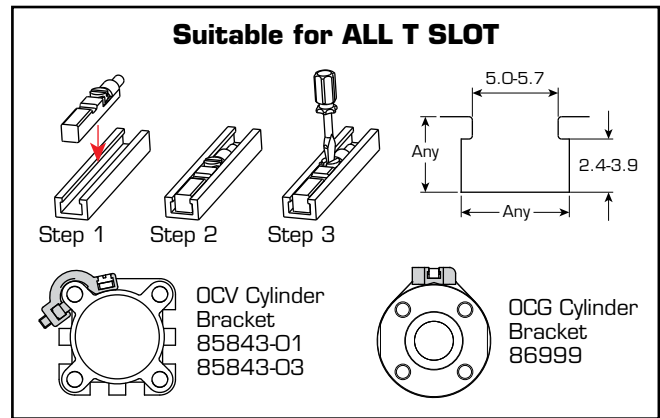




Optimax® T Slot Switches



SPECIFICATIONS

CHARACTERISTIC	85844-0, 85844-2	85845-0, 85845-2	85846-0, 85846-2
SWITCHING LOGIC	SPST Normally Open	Solid State Output, Normally Open	
SENSOR TYPE	Reed Switch	NPN Current Sinking	PNP Current Sourcing
OPERATING VOLTAGE	5-30 V DC	5-30 V DC	
SWITCHING CURRENT	500 mA max.	200 mA max.	
SWITCHING RATING	10 W max.	6 W max.	
CURRENT CONSUMPTION	10 mA max. @ 24 V	15 mA max. @ 24 V	15 mA max. @ 24 V
VOLTAGE DROP	0.1 V max. @ 500 mA DC	0.1 V max. @ 200 mA DC	
LEAKAGE CURRENT	—	0.01 mA max.	
INDICATOR	Dual Yellow LED	Red LED	Green LED
CABLE	2.8 Ø, 3C, Oil Resistance PUR	2.8 Ø, 3C, Oil Resistance PUR	
SENSITIVITY (NOTE 1)	30-40 GAUSS	30-40 GAUSS	
SWITCHING FREQUENCY	200 Hz	1000 Hz	
TEMPERATURE RANGE	-10°C to +70°C	-10°C to +70°C	
SHOCK (NOTE 2)	30 G	50 G	
VIBRATION (NOTE 3)	9 G	9 G	
ENCLOSURE CLASSIFICATION	IP68 (EN60529)	IP68 (EN60529)	
PROTECTION CIRCUIT	—	Power Reverse Polarity; Surge Suppression; O/P Short Circuit Protect	
WIRING DIAGRAM			

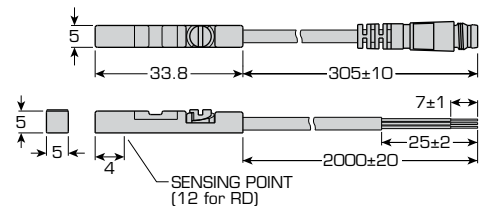
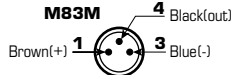
NOTES:

1. Measuring standard target: 15.5 * 8 * 5t (Anisotropic Rubber Magnet).
2. Sin Wave / X, Y, Z 3 Directions / 3 Times Each Direction / 11 mS Each Time.
3. Double Amplitude 1.5 mm / 10 Hz~55 Hz~10 Hz (Sweep 1 min) / X, Y, Z, 3 Directions / 1 Hour Each Time.
4. PHD reserves the right to make changes without notice.

M8 QUICK CONNECTOR
(IEC61076-2-101)

3 wire QD wiring

M83M



© Copyright 2019, by PHD, Inc. All Rights Reserved. Printed in the U.S.A.

4/19 10902

OSWITCH



PHD is a member of the
MAC Distributor Network



www.phdinc.com