

SERIES GRM CLAMPS - SIZE 2



MOUNTING

- T**
3x rear M6 x 1.0 mounting threads (standard)
- C**
90° spherical mounting bracket for 1.00 in or 25 mm tube
- R**
non-spherical bracket for 1.00 in or 25 mm tube
- S**
spherical mounting bracket for 1.00 in or 25 mm tube
- W**
oversize spherical mounting bracket for 1.25 in or 33.3 mm tube
- A**
rear spherical mounting bracket for 1.00 in or 25 mm tube
- B**
oversize rear spherical mounting bracket for 1.25 in or 33.3 mm tube
- P**
rear mounting plate

GRM 2 **S** **S** - 2 - 75 **DDB** - 75 **DDB** - **LAA**

DESIGN NO.
2-Imperial
6-Metric

JAW STYLES

For available rotations, see the Series GRM Clamp Catalog.

S	H&J	F
L&M	K	G
C&D	N&P	R

TIP OPTIONS JAW A | TIP OPTIONS JAW B

For material thickness range of tip combinations, see the Series GRM Catalog.

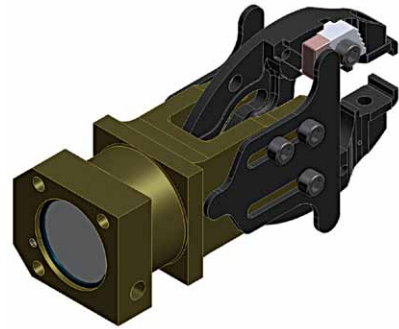
SCx	SDx	DCx	DDx	SUB	DUB

PORT FITTINGS

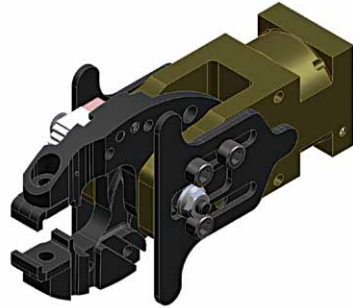
LAA	LBB	LCC
metal swivel elbow for 1/4 in or 6.0 mm tubing	plastic swivel elbow for 1/4 in or 6.0 mm tubing	metal swivel elbow for 8.0 mm tubing

ADDITIONAL OPTIONS

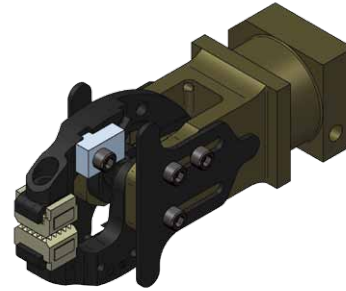
- **Bxx** - **Gxx** - **JBxx** - **Mxx** - **Sxx** - **Pxxxx** - **Dxxxx** - **Kxxxx** - **PA(B)xxx** - **TAxxx** - **TBxxx** - **Vx**



B08
large bore,
high force clamp



G01
continuity path through
the clamp for low-voltage
current signaling



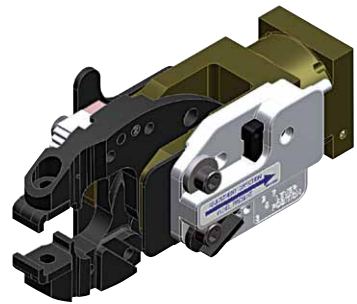
G11
high temperature seals
and lubrication rated to
392°F [200°C]



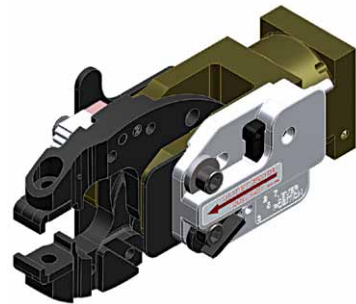
M03
rigid rear mounting
bracket for 1.00 in O.D.
tube internally mounted
or a 1.874 in I.D. tube
externally mounted



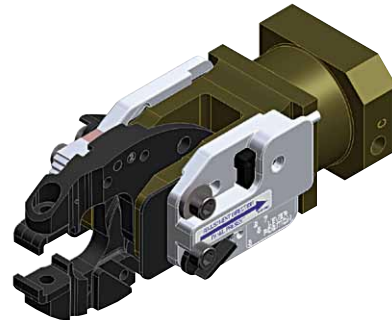
S01
switch installed into special
switch mounting tip
(tip ordered separately)



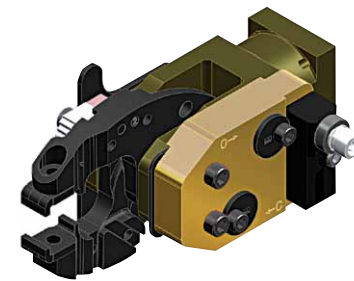
Pxxxx
panel present detection



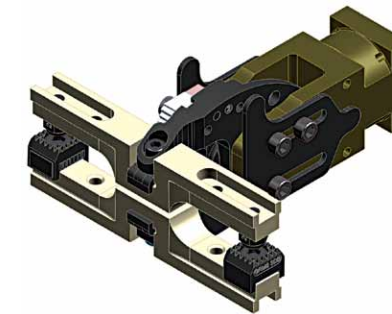
Dxxxx
double sheet detection



Kxxxx
panel present and double
sheet detection



PA(B)xxx
adjustable weld field
immune switches to detect
open and close positions



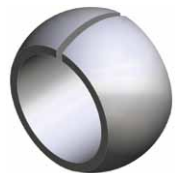
TA018-TB018
wing tip extensions minimize
deflection in thin panels



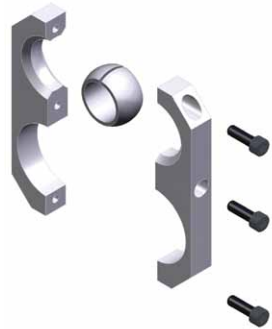
V2
fluoro-elastomer seals
for fluid compatibility

The accessories shown above are some of the many options available. See the Series GRM Clamps Catalog or visit phdinc.com/grm for a full listing.

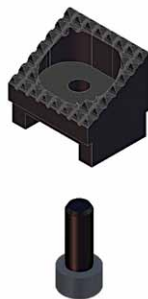
CUSTOMER SPECIFIC OPTIONS & KITS



part# 62193
metric spherical mounting ball
for 25 mm tube



kit# 62196-01
metric spherical mounting
bracket kit for 25 mm tube



kit# 65106-01
black 30° single diamond tip kit
(Tx001 & Tx003 options)



kit# 65149-03
black 30° double diamond tip kit
(Tx034 & Tx037 options)



kit# 75646-03
black single drawbead tip kit
(Tx083 option)



kit# 75646-04
black double drawbead tip kit
(Tx084 option)



phd
SOLUTIONS FOR INDUSTRIAL AUTOMATION

1-800-624-8511