

# NEW GRIPPER ACCESSORY:

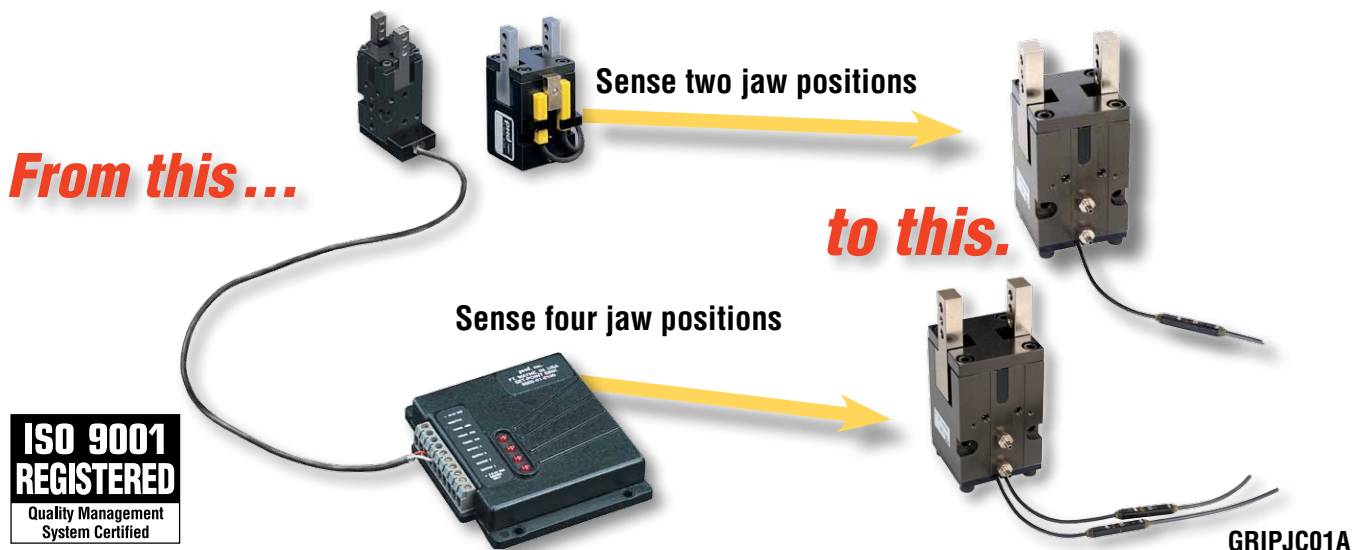
## Series JC1STP Teachable 2 Position Switch Mounting Kits for Series 8400 & 190 Angular, and 190/191 Parallel Grippers

Mounting kits provide the switch plate with slots for either one or two Series JC1STP Switches to mount to the bottom surface of the grippers. See back for details.

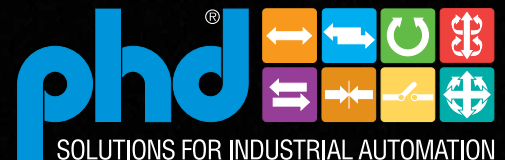
- **Lower Cost for Jaw Position Sensing - Up to 50% Less**
- **Clean, Compact, and can be Retrofitted**
- **Easy Installation and Set-up**
- **Simple Program Logic**



Feature	Hall Sensor and Set Point Module	Proximity Switches	JC1STP Teachable 2 Position Switches
Availability	All	All (except size 8400)	ALL
Installation	Good	Better	BEST
Dowel Pins	No	No	YES
Max. Number of Set Points	4	2	4
Ease of set up	Good	Better	BEST
Set Point Stability	Good	Better	BEST
PLC Programming	Good	Better	BEST



PHD is a member of the  
MAC Distributor Network



[www.phdinc.com](http://www.phdinc.com)

# MOUNTING KITS: SERIES 8400 AND 190/191 GRIPPERS

## MOUNTING KIT FOR SERIES JC1STP 2 POSITION TEACHABLE SWITCHES

These kits provide the mounting plate required to utilize one or two Series JC1STP Teachable Switches with Series 8400 Angular, Series 190 Angular, and Series 190/191 Parallel Grippers. Using two switches allows sensing of up to four jaw positions throughout the jaw travel (see note 4). The appropriate switch option must be ordered to use these switches. Switches are ordered separately.

For information and dimensions regarding Series 190 Angular Grippers consult PHD Classic Products online at [phdinc.com](http://phdinc.com).



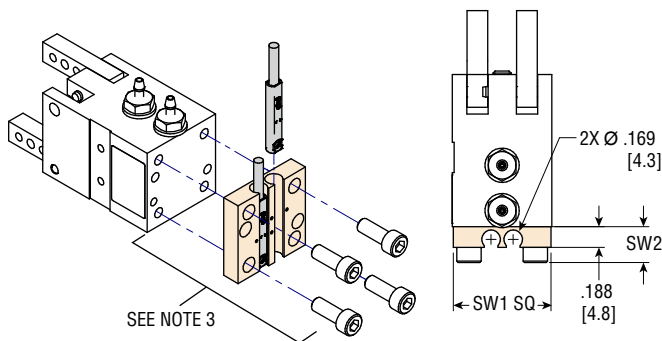
### SERIES JC1STP 2 POSITION TEACHABLE MAGNETIC SWITCHES

PART NO.	SWITCH DESCRIPTION
JC1STP-2	PNP (Source), Solid State, 12-30 VDC, 2 meter cable
JC1STP-K	PNP (Source), Solid State, 12-30 VDC, Quick Connect

Includes one switch and installation instructions.

## SERIES 8400 ANGULAR GRIPPERS

Switch Option -0 (zero) must be specified with the gripper to use Series JC1STP Switches.



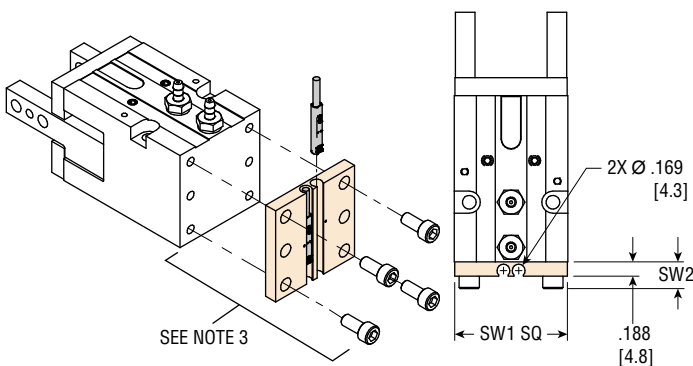
GRIPPER MODEL NO.	KIT PART NO.	MAXIMUM NO. OF SET POINTS
8400	86944-01-1	2
8410	86944-02-1	4
8420	86944-03-1	4
8430	86944-04-1	4

LETTER DIM	MODEL NUMBER							
	8400		8410		8420		8430	
	in	mm	in	mm	in	mm	in	mm
SW1	.685	17.4	.885	22.5	1.385	35.2	1.900	48.3
SW2	.298	7.6	.324	8.2	.350	8.9	.375	9.5

SW2 CALCULATED USING NOMINAL HEAD HEIGHT OF STANDARD SHCS

## SERIES 190/191 PARALLEL GRIPPERS

Switch Option -4 must be specified with the gripper to use Series JC1STP Switches.



GRIPPER MODEL NO.	KIT PART NO.		MAXIMUM NO. OF SET POINTS
	IMPERIAL	METRIC	
19x6x	86944-05-1	86944-05-5	2
19x7x	86944-06-1	86944-06-5	4
19x8x	86944-07-1	86944-07-5	4
19x9x	86944-08-1	86944-08-5	4

LETTER DIM	MODEL NUMBER							
	19x6x		19x7x		19x8x		19x9x	
	in	mm	in	mm	in	mm	in	mm
SW1	.770	19.6	.970	24.6	1.480	37.6	1.950	49.5
SW2	.303	7.7	.324	8.2	.350	8.9	.381	9.7

SW2 CALCULATED USING NOMINAL HEAD HEIGHT OF STANDARD SHCS

### NOTES:

- FOR OPTIMAL SWITCH PERFORMANCE, ALIGN ARROWS ON SWITCH WITH DOTS ON MOUNTING PLATE (SEE MOUNTING INSTRUCTIONS).
- SWITCH PLATE MAY BE ROTATED ALLOWING THE SWITCH CABLE(S) TO EXTEND FROM ANY SIDE OF THE GRIPPER.
- SWITCH PLATE MUST MOUNT DIRECTLY TO GRIPPER USING BOTTOM MOUNTING HOLES. WHEN MOUNTING GRIPPER FROM BOTTOM,

- PLACE SWITCH PLATE BETWEEN GRIPPER AND MOUNTING SURFACE USING CUSTOMER SUPPLIED FASTENERS.
- DUE TO SIZE LIMITATIONS, THE SWITCH PLATE FOR THE SMALLEST OF EACH GRIPPER SERIES HAS ONE SWITCH SLOT AND CAN ACCOMMODATE ONE SWITCH PROVIDING TWO JAW POSITION SENSING.

© Copyright 2017, by PHD, Inc. All Rights Reserved. Printed in the U.S.A.

PHD, Inc.  
9009 Clubridge Drive  
P.O. Box 9070, Fort Wayne, Indiana 46899 U.S.A.  
Phone (260) 747-6151 • Fax (260) 747-6754  
[www.phdinc.com](http://www.phdinc.com) • [phdinfo@phdinc.com](mailto:phdinfo@phdinc.com)

GRIPJC01A

PHDinEurope GmbH  
Zum Carl-Alexander-Park 6  
52499 Baesweiler, Germany  
Tel. +49 (0)2401-619 77 0 • Fax. +49 (0)2401-619 77 99  
[www.phdinc.com](http://www.phdinc.com) • [info@PHDinEurope.de](mailto:info@PHDinEurope.de)

8/17 10419