



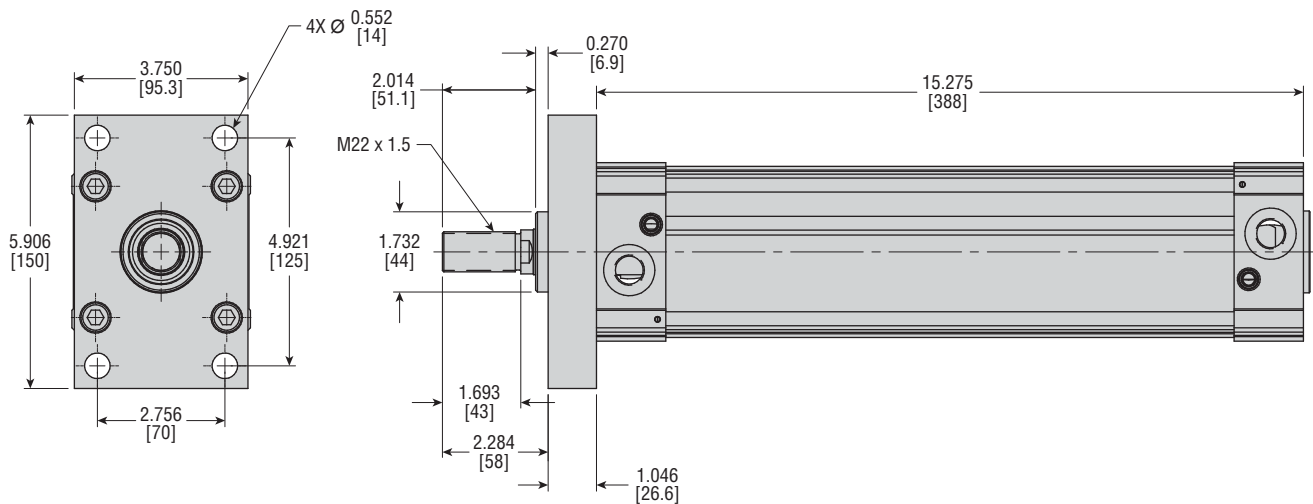
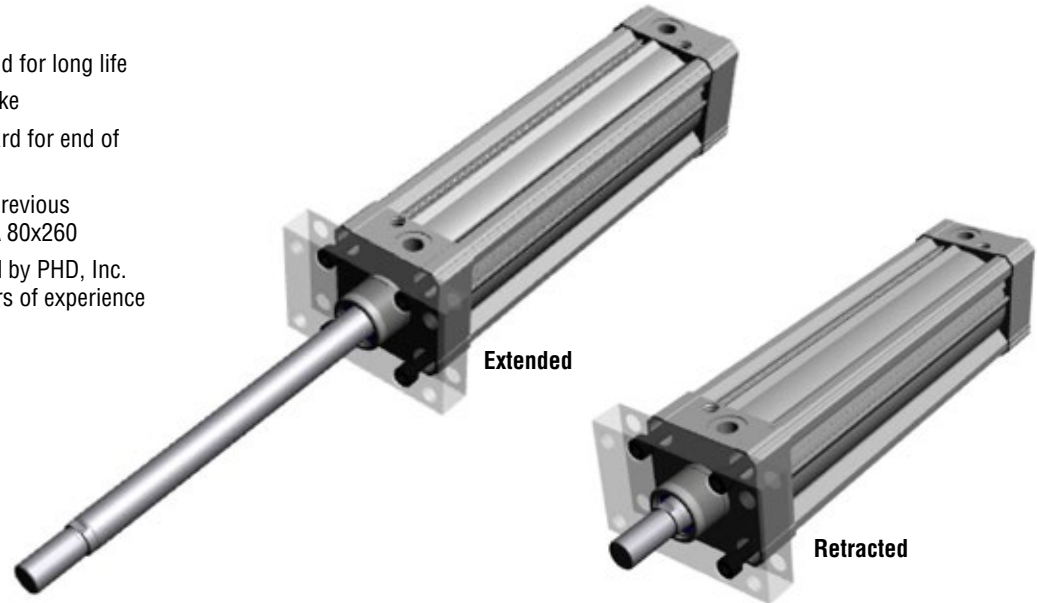
Blow Molding Industry

Conditioning Core Cylinder

Nissei Drop-In Replacement | ML#315762

BENEFITS

- Heavy duty cylinder designed for long life
- 80 mm bore x 260 mm stroke
- Cushion controls are standard for end of stroke deceleration
- Direct replacement for the previous OEM-supplied Koganei DDA 80x260
- Designed and manufactured by PHD, Inc. USA with more than 60 years of experience



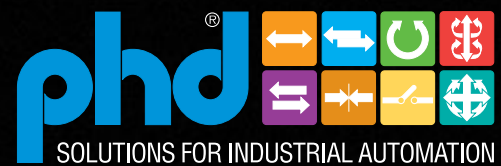
NOTES:
1) ALL DIMENSIONS NOT NOTED ARE STANDARD PER PHD CYLINDER CVAS6V50x260-DB-M
2) M22 x 1.5 JAM NUT INCLUDED BUT NOT SHOWN

© Copyright 2018, by PHD, Inc. All Rights Reserved. Printed in the U.S.A.

CP315762



PHD is a member of the
MAC Distributor Network



SOLUTIONS FOR INDUSTRIAL AUTOMATION

www.phdinc.com