



Glass Tong Head Gripper

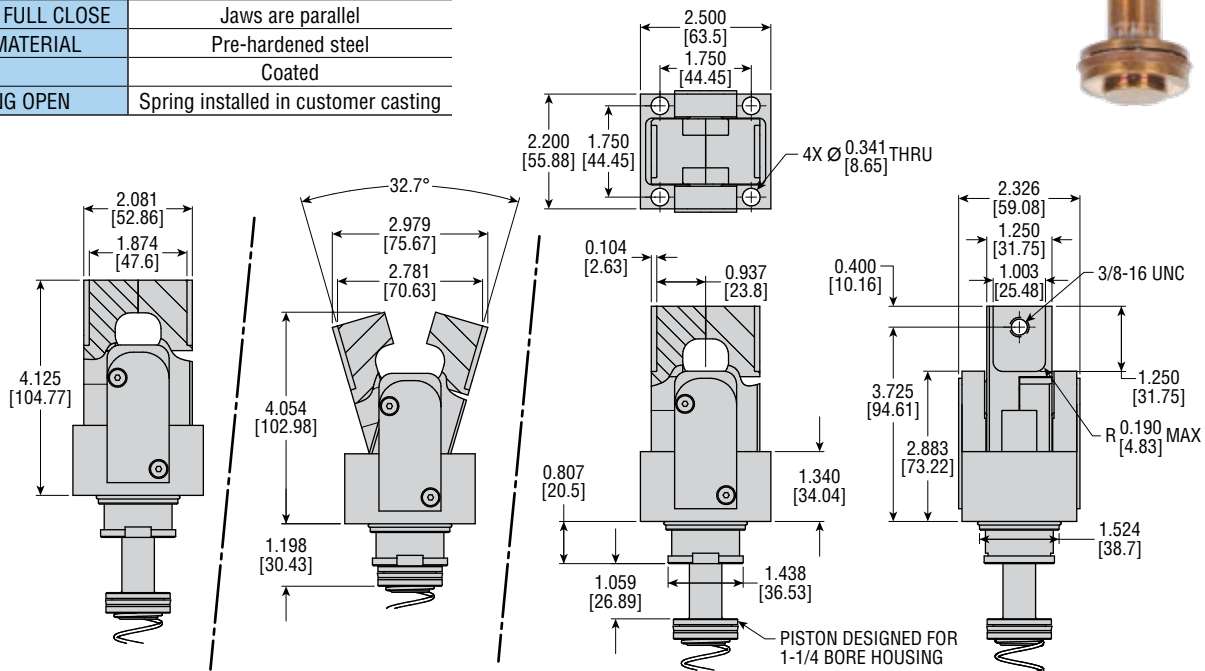
ML#315476

BENEFITS

- **Mechanical Locking:** Gripper jaws are locked on full open, thus eliminating jaws and tooling being exposed to additional moments of inertia during gob/bottle transfer onto the conveyor
- **Very Precise Jaw Movement:** For consistent, repeatable pick up. No pin breaks or jaw play!
- **Drop-in Replacement:** Replaces Vitro and other glass bottle forming machines
- **Anti-Wink:** Gripper jaws are locked on full open, thus preventing jaws from moving while open
- **Less Downtime:** Designed for more than 10 million cycles
- Easily field repairable, spare parts available upon request



SPECIFICATIONS	ML315476
WEIGHT	37 oz [1049 g]
BORE	1.250 in [31.75 mm]
JAWS OPEN ANGLE	32.7°
JAWS FULL CLOSE	Jaws are parallel
JAW MATERIAL	Pre-hardened steel
BODY	Coated
SPRING OPEN	Spring installed in customer casting



NOTES:
 1) ALL DIMENSIONS ARE FOR REFERENCE ONLY
 2) SINGLE ACTING OPERATION: -SPRING OPEN; AIR PRESSURE CLOSED
 3) CUSTOMER TO VERIFY ALL DIMENSIONS

