

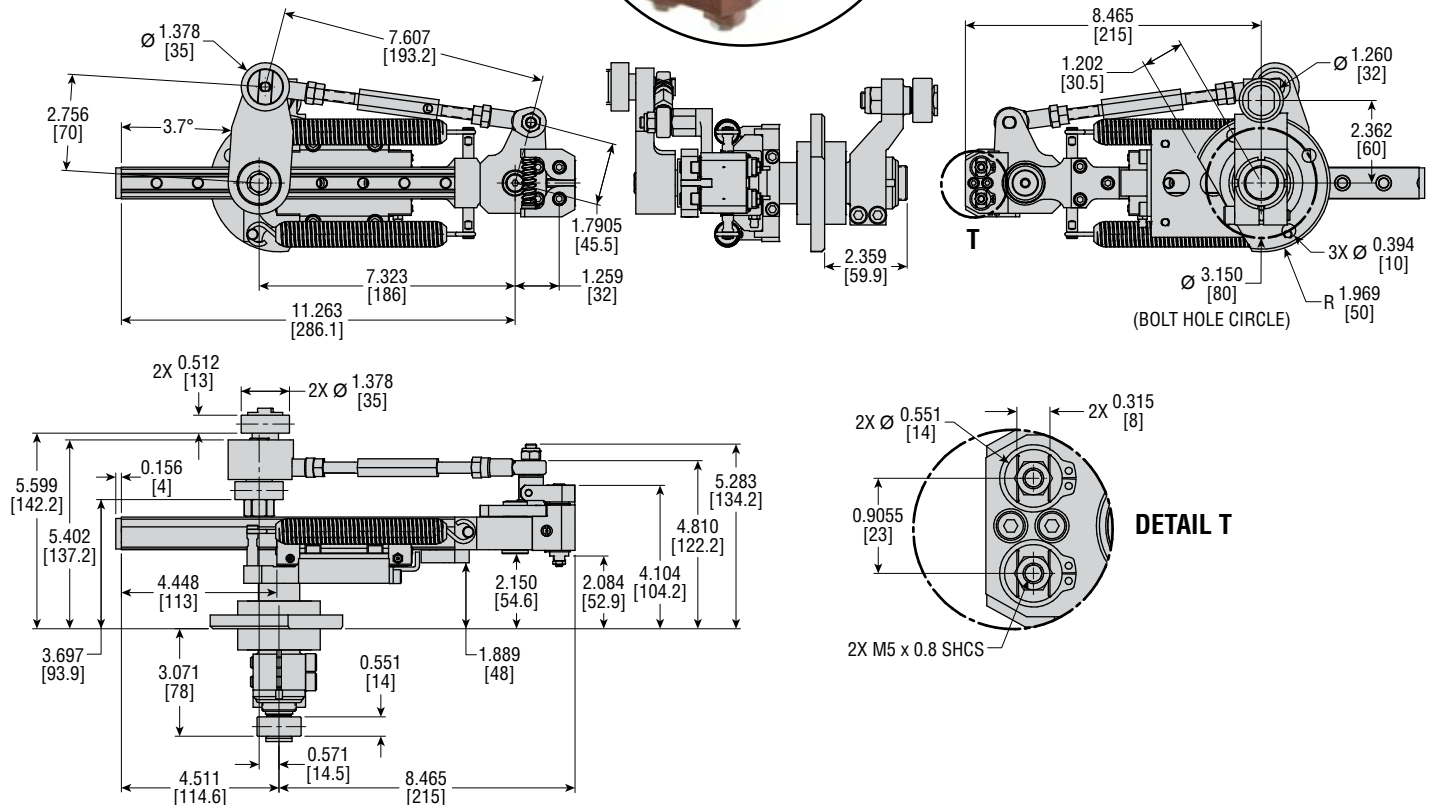
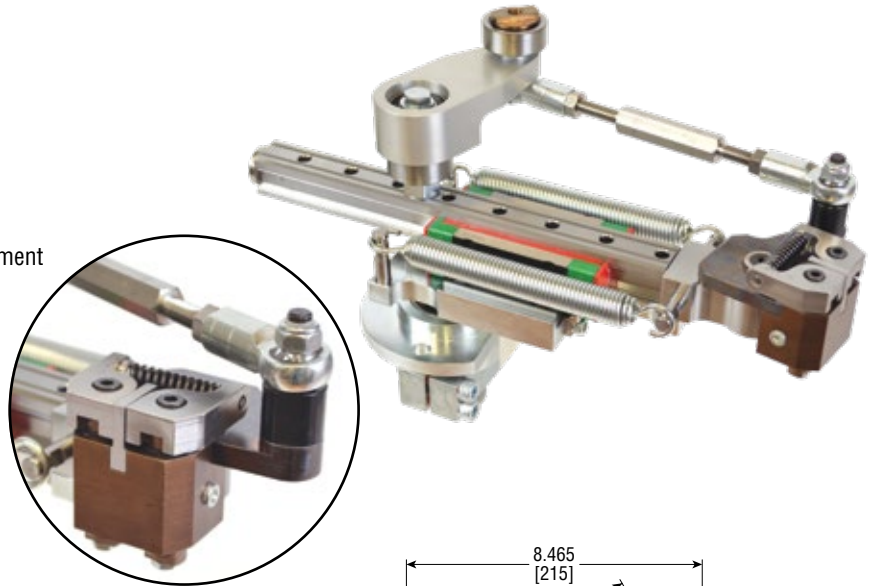


Articulated Transfer Arm

Sidel® Series1 Direct Replacement SB010 | ML#315189

BENEFITS

- Design is based on PHD BST1x1-6 transfer arm assembly
- Linear rail and carriage bearing increased in size from Sidel® design
- Linear rail and carriage bearing is of a roller bearing design
- Base and shaft have been incorporated into a weldment
- Jaw closure spring is compression vs. extension thus eliminating overstretch of spring
- Head is hardened tool steel with lubrication ports
- Head incorporates removable jaw stop for easy field repair and cost savings
- Head is easily removed from the arm via 2 fasteners and 2 dowel pins



© Copyright 2018, by PHD, Inc. All Rights Reserved. Printed in the U.S.A.

CP315189



PHD is a member of the
MAC Distributor Network



www.phdinc.com