



Blow Molding Industry

# Articulated Transfer Arm

ML#313644 | 'S' Style Series2 Spare Component

## BENEFITS

- Threaded vertical height adjustment eliminates need for shim pack, which greatly reduces setup adjustment time
- Linear rail and carriage bearing has increased in size and upgraded to roller bearing style assembly
- Base, shaft, and pivot incorporated into one piece weldment
- Head is designed with large radial bearings for increased rigidity and long life
- Hardened replaceable jaw stop for ease of repair and cost considerations
- Jaw and retract springs manufactured specifically for PHD provide greater life
- All spring return pins hardened and replaceable for ease of repair and cost considerations
- Unit is designed to operate over 20 million cycles.

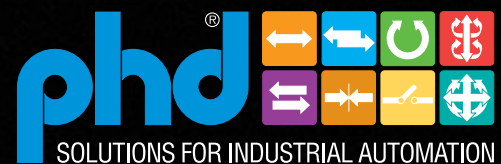


© Copyright 2018, by PHD, Inc. All Rights Reserved. Printed in the U.S.A.

CP313644



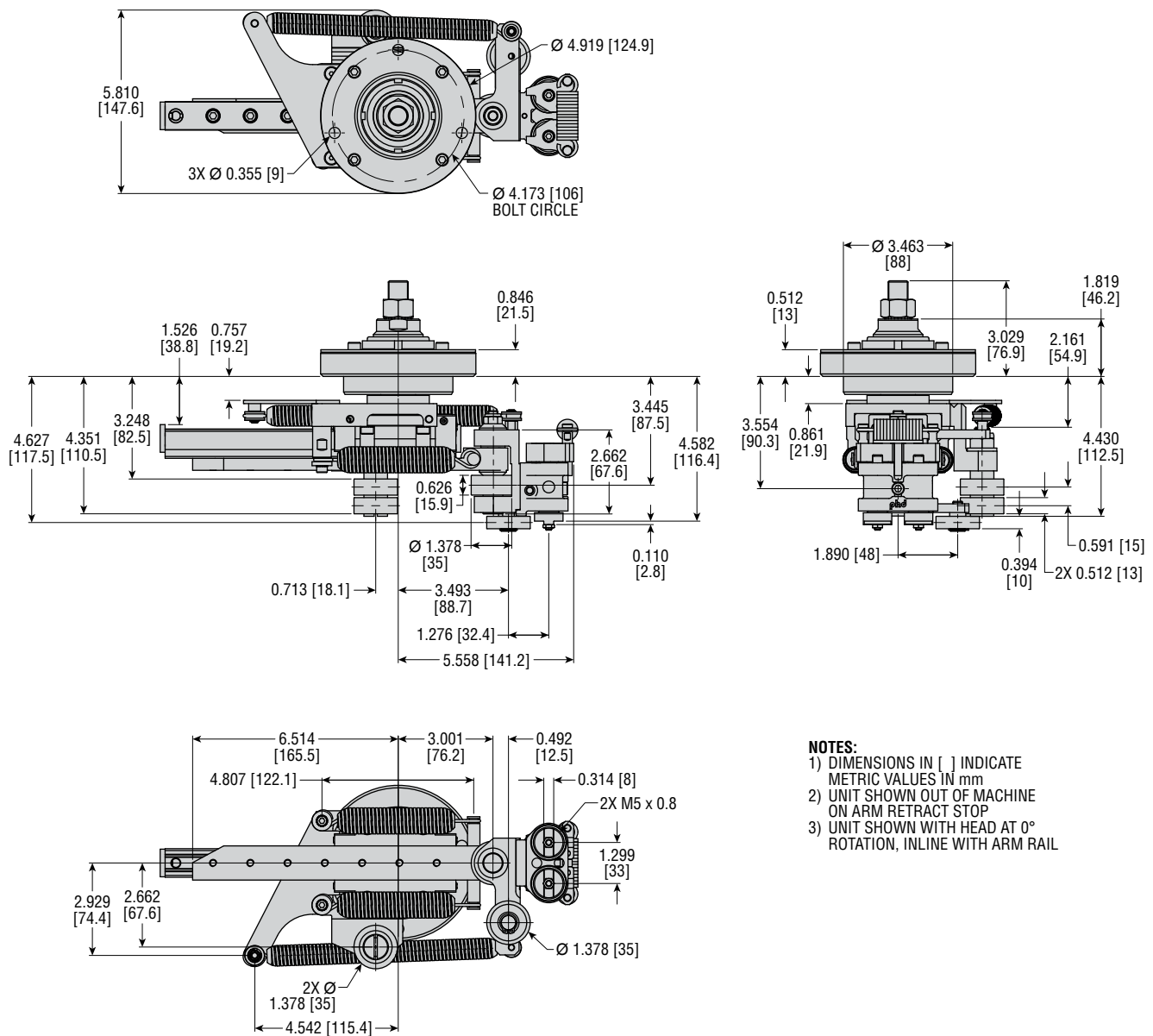
PHD is a member of the  
MAC Distributor Network



SOLUTIONS FOR INDUSTRIAL AUTOMATION

[www.phdinc.com](http://www.phdinc.com)

# DIMENSIONS: ML313644



- NOTES:**
- 1) DIMENSIONS IN [ ] INDICATE METRIC VALUES IN mm
  - 2) UNIT SHOWN OUT OF MACHINE ON ARM RETRACT STOP
  - 3) UNIT SHOWN WITH HEAD AT 0° ROTATION, INLINE WITH ARM RAIL

All dimensions are reference only unless specifically tolerated.