



# Blanket Wash System Solution

# Blanket Wash Cylinder Replacement

## ML#311719 & ML310456

Seal kit #84279

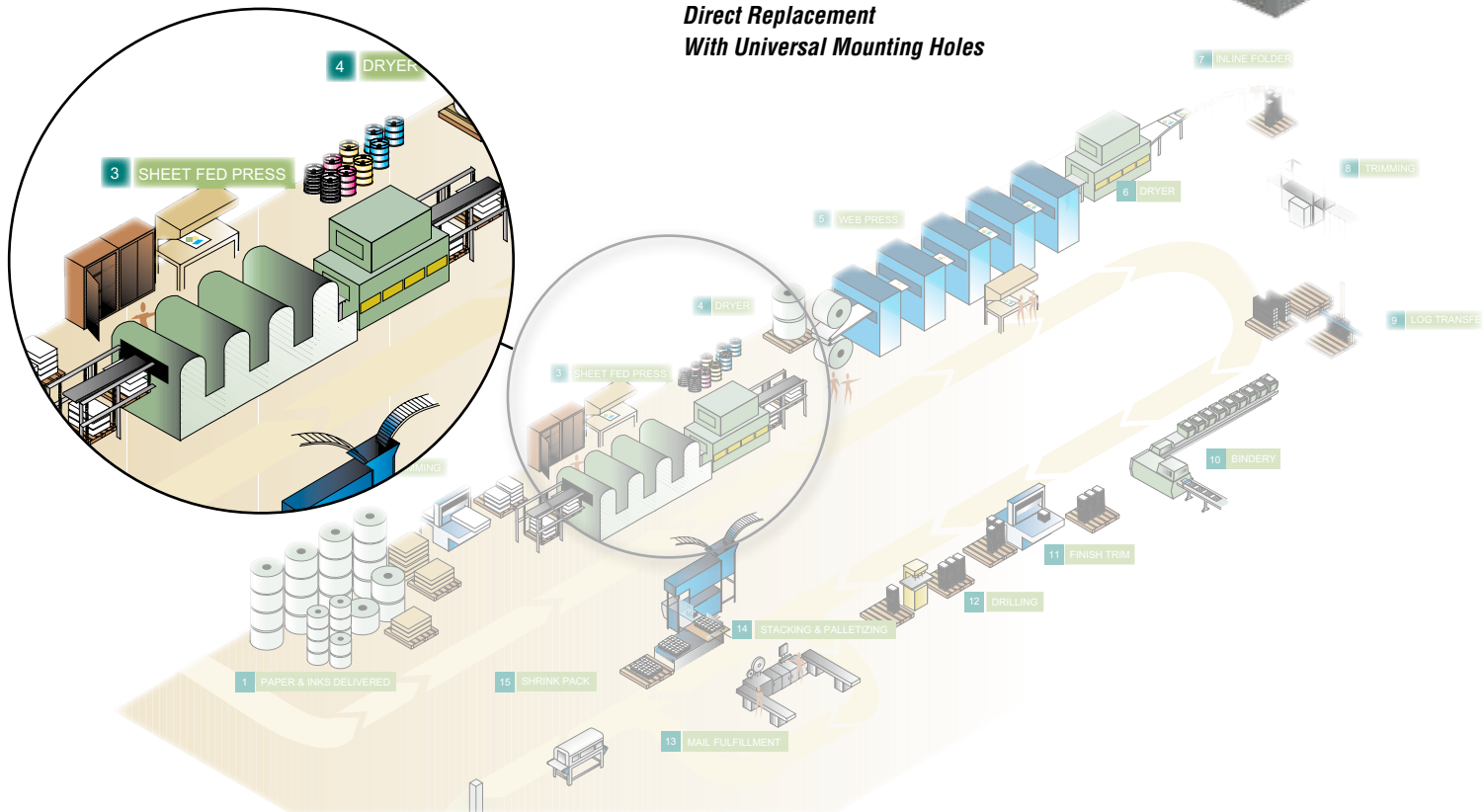
**Field-Repairable Design**

**ML310456**  
*Speedmaster CD Series*  
*Direct Replacement*

### BENEFITS

- Field-repairable design for reduced downtime and increased production
- Drop-in replacement for Heidelberg blanket wash cylinder
- Provides long life seals and bushings
- Double rod [16 mm dia]
- 40 mm bore x .413 [10.5 mm] stroke
- 1/8 BSPP ports
- ML#311719 incorporates slotted mounting holes in head to accommodate 33 mm and 35 mm pattern

**ML#311719**  
*Speedmaster CD Series*  
*Direct Replacement*  
*With Universal Mounting Holes*



**CP311719**



PHD is a member of the  
MAC Distributor Network



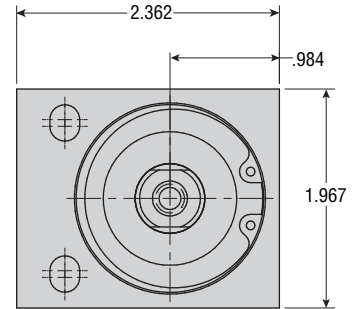
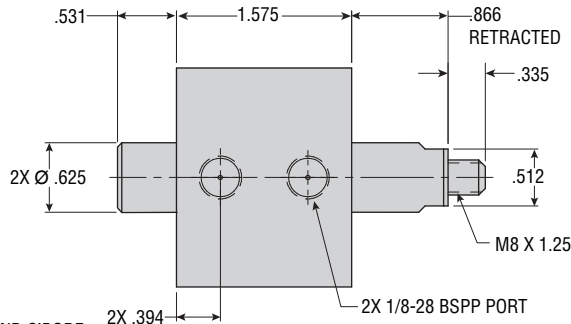
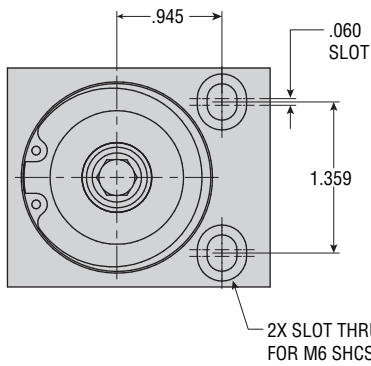
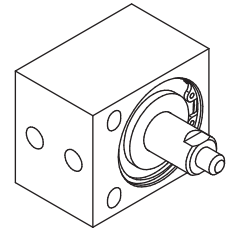
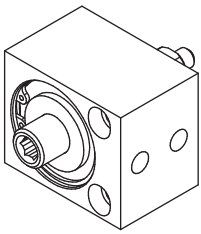
SOLUTIONS FOR INDUSTRIAL AUTOMATION

PHD, Inc. • P.O. Box 9070 • Fort Wayne, IN 46899 • (260) 747-6151 • FAX (260) 747-6754  
www.phdinc.com • phdinfo@phdinc.com

# DIMENSIONS: Blanket Wash Cylinder Replacement

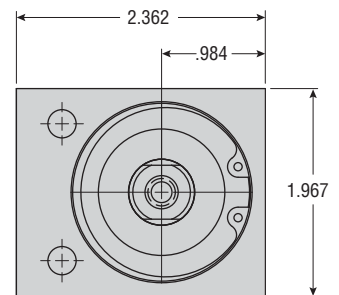
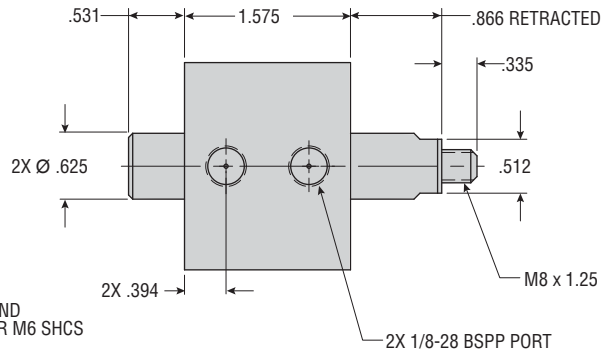
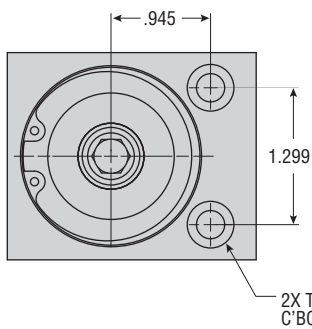
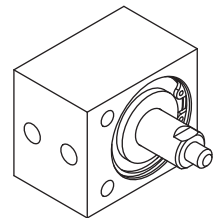
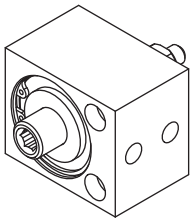
**ML#311719**

Seal kit #84279



**ML#310456**

Seal kit #84279



© Copyright 2012, by PHD, Inc. All Rights Reserved. Printed in the U.S.A.

**CP311719**

**PHD, Inc.**  
9009 Clubridge Drive  
P.O. Box 9070, Fort Wayne, Indiana 46899 U.S.A.  
Phone (260) 747-6151 • Fax (260) 747-6754  
www.phdinc.com • phdinfo@phdinc.com

**PHDinEurope GmbH**  
Arnold-Sommerfeld-Ring 2  
52499 Baesweiler, Germany  
Tel. +49 (0)2401 805 230 • Fax +49 (0)2401 805 232  
www.phdinc.com • info@PHDinEurope.de