



# Commercial Laundry Solution

## Jensen Drain Cylinder Replacement

**ML#311559** L-Tron Open pocket washer/extractor  
800 lb load capacity (OEM: Jensen)

*Provides Longer Life and Reduces Down Time  
for Critical Laundry Components*

### BENEFITS

- Drop-in replacement for SMC NCDMB150-0400-XC6
- Fully field repairable making it very economical versus replacing the unit. This provides the lowest cost of ownership. Seal kits and replacement heads are available.
- Head has special plating making it washdown tolerant
- Field tested ensuring performance and longer life
- Same mounting thread and rod end thread as replacement unit
- Competitive unit has 1/2 inch rod diameter. Our more robust replacement has 16 mm rod diameter.
- Nose mount thread 1-1/2-12 for easy attachment
- Igus bearings and rod wipers installed in head for long life and contamination resistance

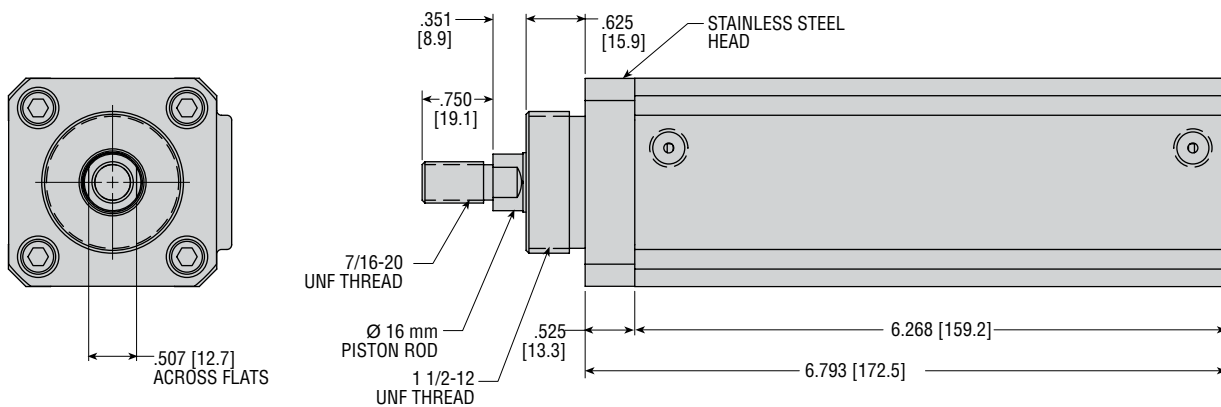


### Problem

The washdown solution caused the competitor's drain cylinder head and body to break down and fail prematurely.

### Solution

This design allows for the waste water solution to wash away from the cylinder head and body. Field testing has proven this design to more than double the life of the OEM standard cylinder in specified conditions.



### NOTES:

- 1) ALL DIMENSIONS ARE FOR REFERENCE ONLY. TITLE BLOCK TOLERANCES DO NOT APPLY.
- 2) DIMENSIONS NOT NOTED ARE STANDARD PER UNIT DESCRIPTION: CRS3U40 X 4 -M-Z1
- 3) UNIT HAS A STAINLESS STEEL HEAD WITH POLYMER ROD BUSHINGS, ROD O-RING SEAL & ROD SEAL/WIPER INSTALLED.

© Copyright 2011, by PHD, Inc. All Rights Reserved. Printed in the U.S.A.

**CP311559**  
50-1 11/11 8556



PHD is a member of the  
MAC Distributor Network



PHD, Inc. • P.O. Box 9070 • Fort Wayne, IN 46899 • (260) 747-6151 • FAX (260) 747-6754  
www.phdinc.com • phdinfo@phdinc.com