



# Commercial Laundry Solution

## Braun Drain Cylinder Replacement

Open pocket washer/extractor 450 lb & 600 lb load capacity

ML#311696(Drop-in replacement) ML#311558(Drop-in replacement with internal stroke adjustment)

*Provides Longer Life and Reduces Down Time for Critical Laundry Components*

### BENEFITS

- Drop-in replacement
- ML#311558 model has internal stroke adjustment making it possible to change stroke from 3 to 4 inches as needed.
- Fully field repairable making it very economical versus replacing the unit. This provides the lowest cost of ownership.
- Electroless nickle plated body
- Head has special corrosion-proof plating
- Washdown tolerant
- Field tested with longer life
- Head with 1-14 nose mount thread to replace standard bushing
- Rod end thread matches (5/8-11)

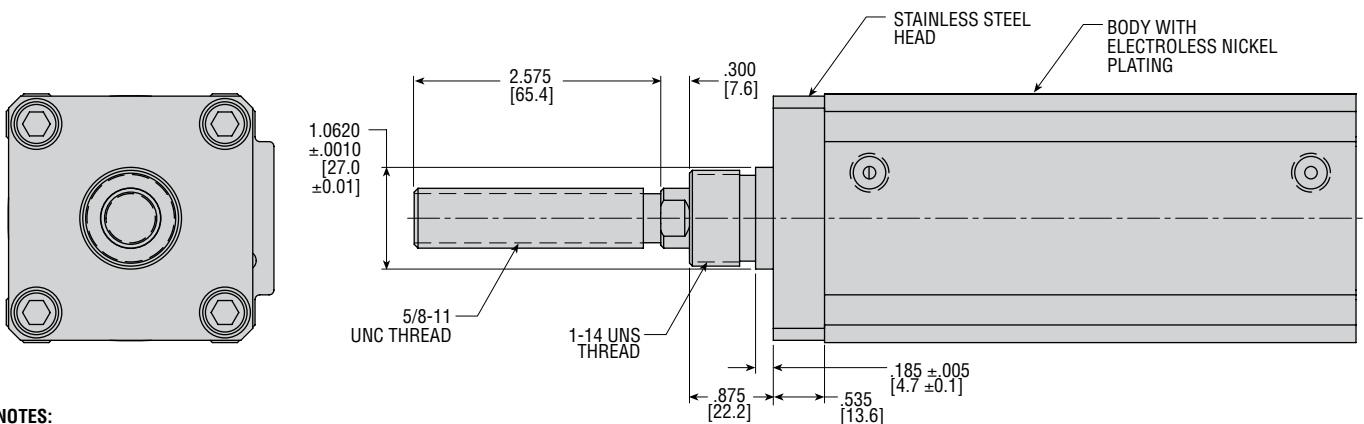


### Solution

This design allows for the waste water solution to wash away from the cylinder head and body. Field testing has proven this design to double the life of the cylinder. This cylinder may be utilized with a 3 or 4 inch stroke feature in one unit.

### Problem

The washdown solution caused the competitor's drain cylinder head and body to break down and fail prematurely.



**NOTES:**  
 1) ALL DIMENSIONS ARE FOR REFERENCE ONLY UNLESS SPECIFICALLY TOLERANCED. STANDARD TITLE BLOCK TOLERANCES DO NOT APPLY.  
 2) DIMENSIONS NOT NOTED ARE STANDARD PER UNIT DESCRIPTION: CRS3U50 X 4 -BB-WP-Z1 (DIMENSIONS CAN BE FOUND IN PHD 2006 CATALOG.)

© Copyright 2012, by PHD, Inc. All Rights Reserved. Printed in the U.S.A.

**CP311558A**  
50-1 3/12 8666



PHD is a member of the  
MAC Distributor Network



PHD, Inc. • P.O. Box 9070 • Fort Wayne, IN 46899 • (260) 747-6151 • FAX (260) 747-6754  
www.phdinc.com • phdinfo@phdinc.com