



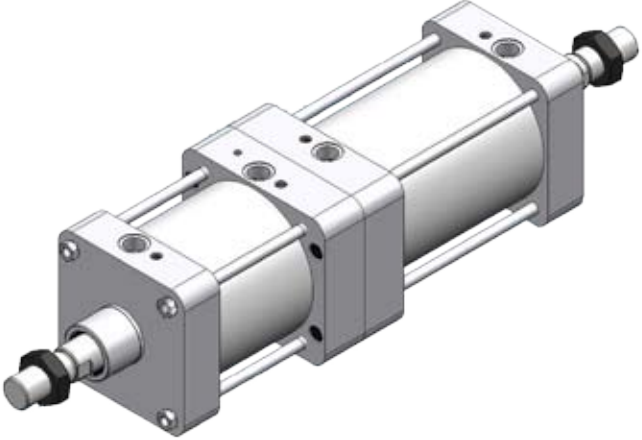
# PRINT INDUSTRY SOLUTION

## Impression Roll Actuator

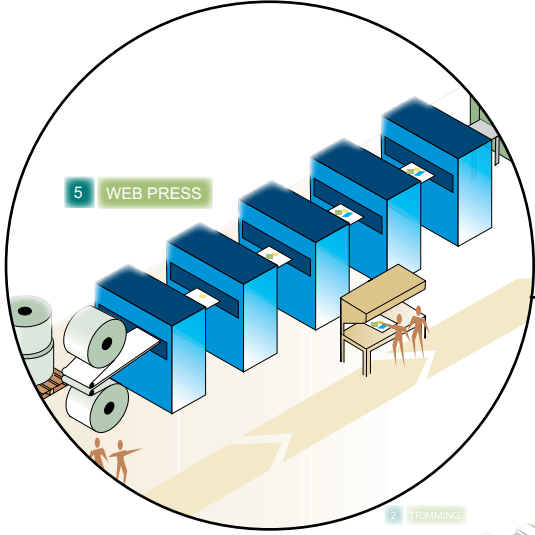
Replacement for Manroland Rotoman Press  
ML# 310595

### BENEFITS

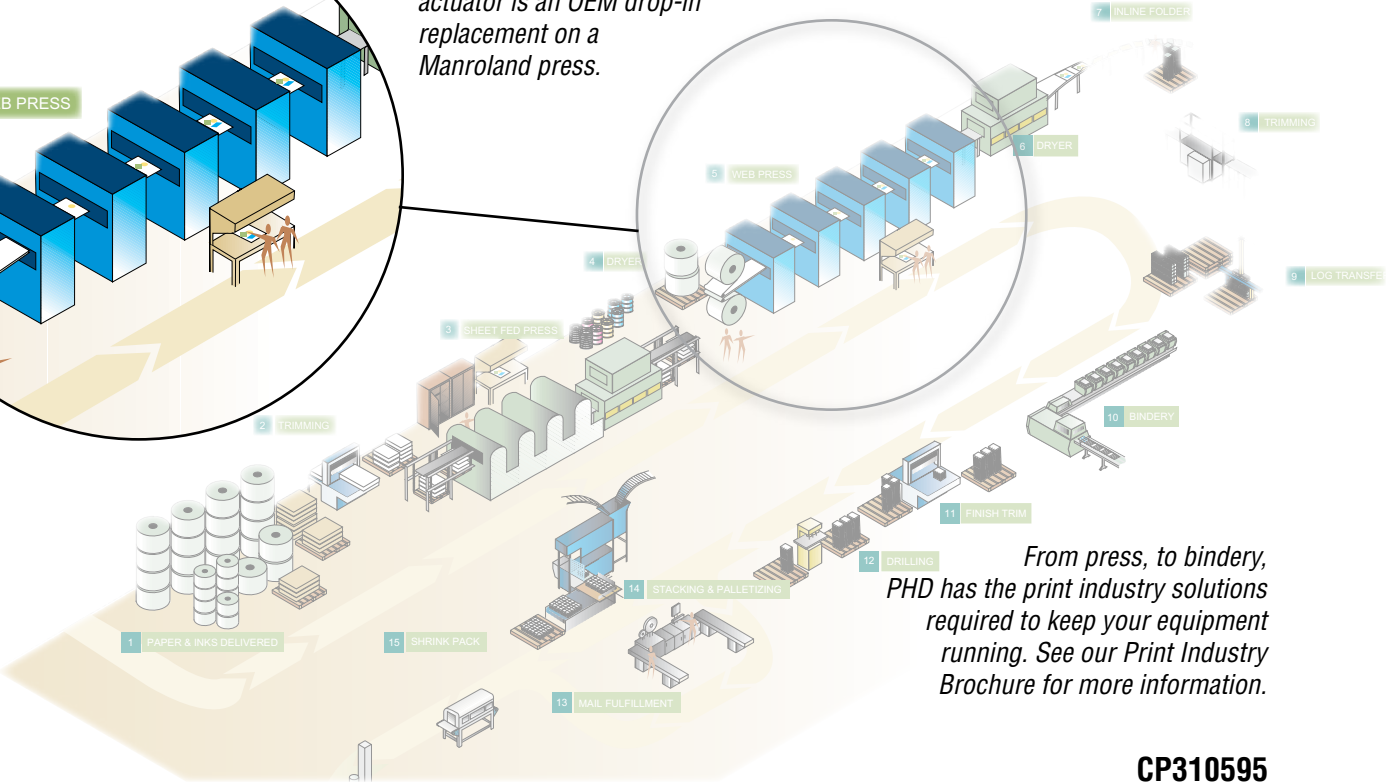
- Drop-in replacement for OEM unit
- Back-to-back ISO cylinders
- Has increased bearing area for longer life
- Field tested
- Field repairable
- Part of PHD rebuild program with new warranty



- 160 mm bore  
- 140 mm x 60 mm  
back-to-back actuators



The PHD impression roll actuator is an OEM drop-in replacement on a Manroland press.

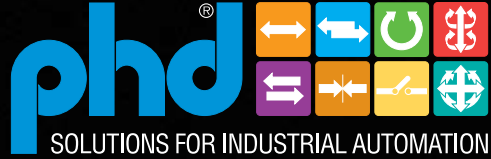


From press, to bindery, PHD has the print industry solutions required to keep your equipment running. See our Print Industry Brochure for more information.

CP310595

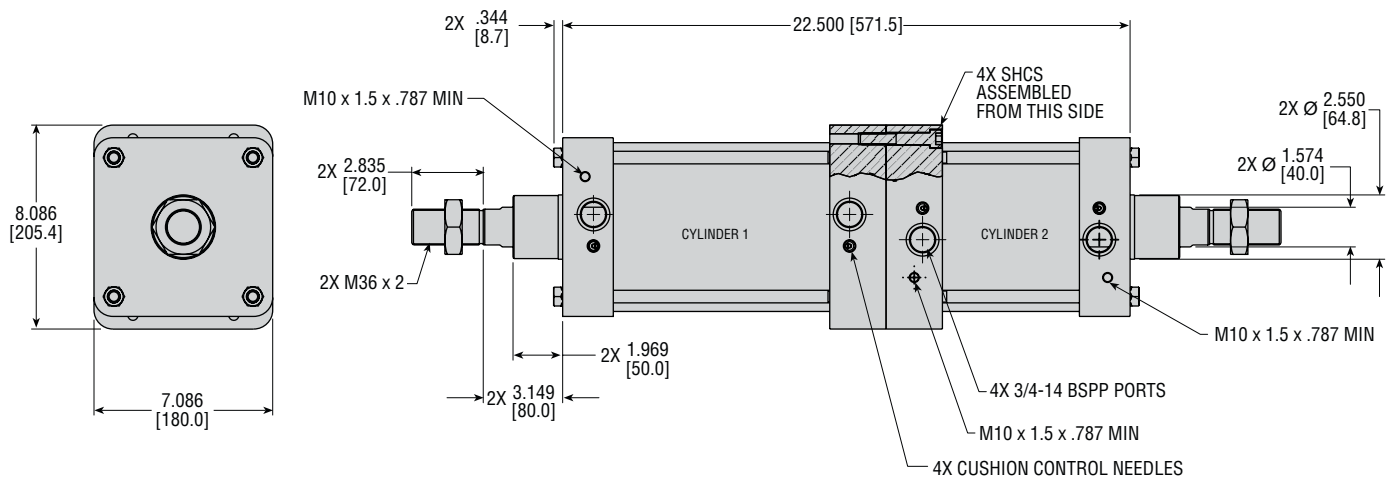


PHD is a member of the MAC Distributor Network



PHD, Inc. • P.O. Box 9070 • Fort Wayne, IN 46899 • (260) 747-6151 • FAX (260) 747-6754  
www.phdinc.com • phdinfo@phdinc.com

# DIMENSIONS: Impression Roll Actuator



## NOTES:

- 1) BORE - 160 mm
- 2) CYLINDER 1 TRAVEL - 140 mm
- 3) CYLINDER 2 TRAVEL - 60 mm
- 4) ALL DIMENSIONS SHOWN ARE REFERENCE DIMENSIONS ONLY