



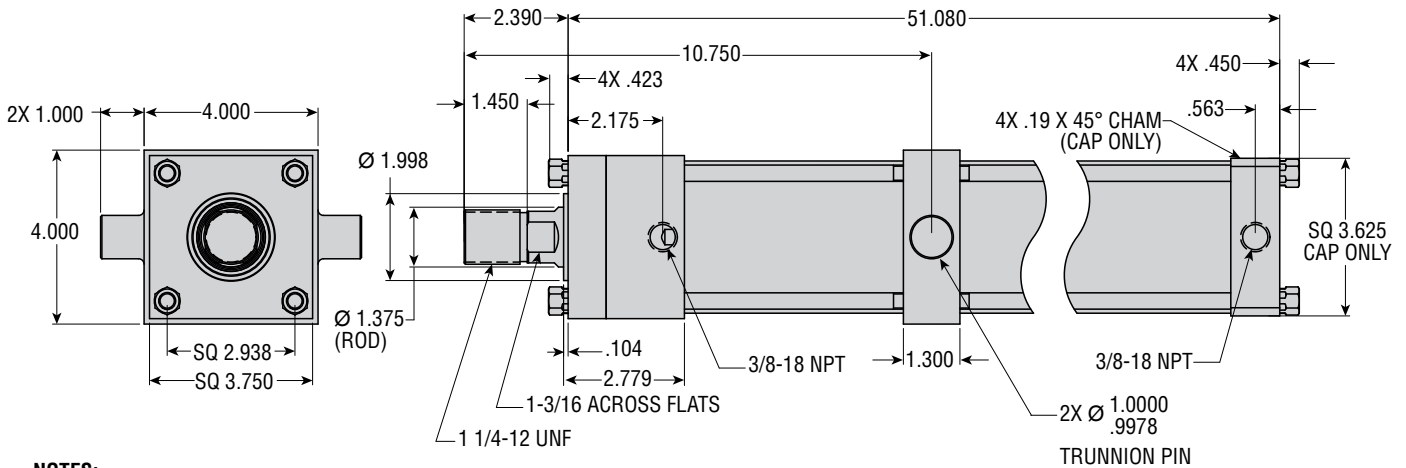
Curing Press - Tire Manufacturing

Curing Press Water Cylinder ML#310536



BENEFITS

- 3-1/4 in bore with 44 in stroke
- Trunnion mount
- Longer life than competitor units
- Piston wear band to maximize piston seal life
- Double rod seal to prevent leakage
- Stainless steel construction and electroless nickel plating to prevent corrosion
- Drop in replacement for quick changeover



NOTES:

- 1) ALL DIMENSIONS REFERENCE ONLY
- 2) UNIT SPECIFICATIONS:
BORE: 3-1/4 INCH
STROKE: 44 INCH
MOUNTING: TRUNNION
RATED FOR HIGH WATER BASE FLUIDS
250 PSI WATER
100° F WATER TEMPERATURE

© Copyright 2013, by PHD, Inc. All Rights Reserved. Printed in the U.S.A.
25 4/13 9057

CP310536



PHD is a member of the
MAC Distributor Network

PHD, Inc. • P.O. Box 9070 • Fort Wayne, IN 46899 • (260) 747-6151 • FAX (260) 747-6754
www.phdinc.com • phdinfo@phdinc.com