

phd[®] SERIES GRM CLAMP WITH B08A SEAL KIT INSTRUCTIONS

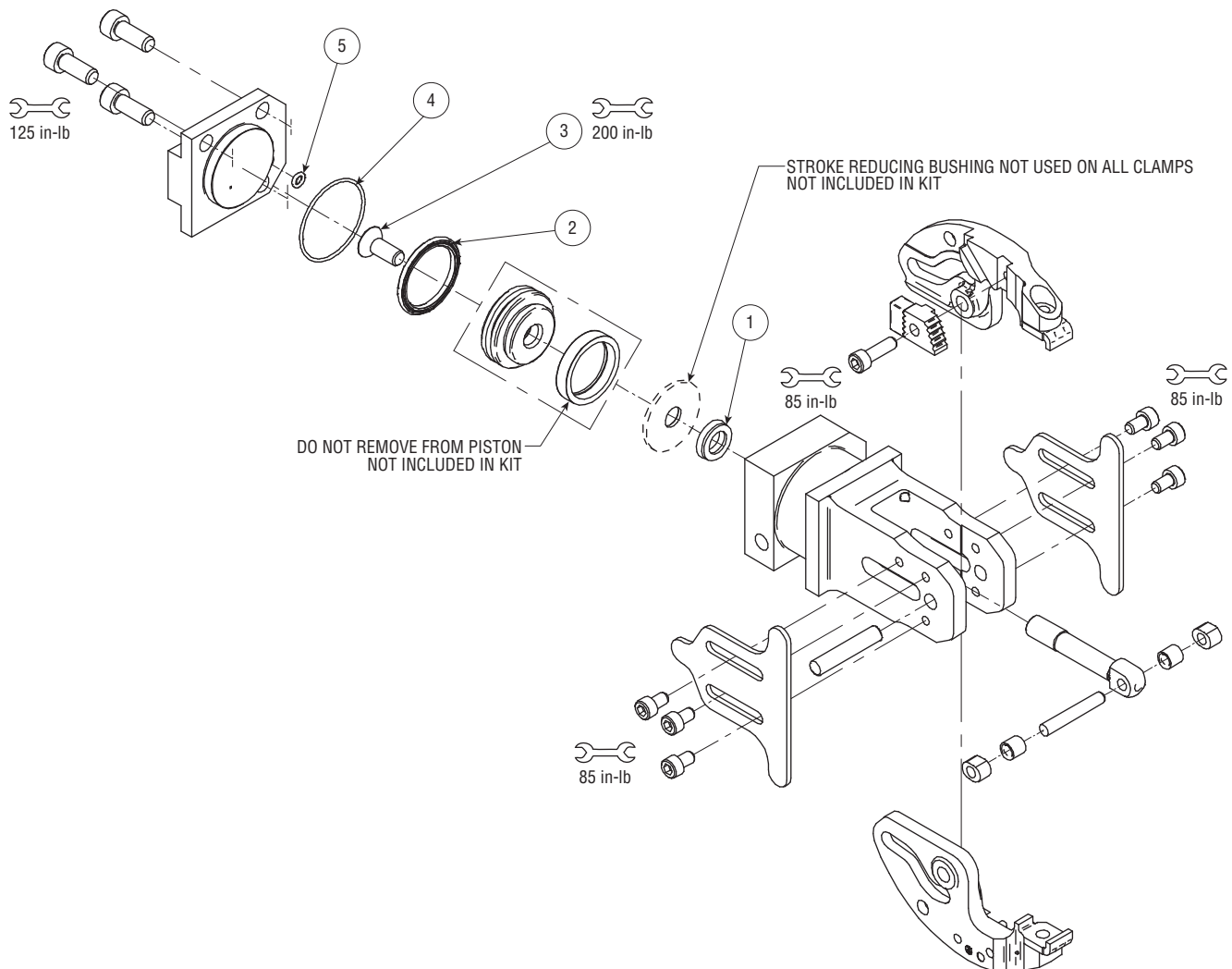
KEY	QTY	PART DESCRIPTION
1	1	Rod Seal
2	1	Piston Seal
3	1	Piston Fastener
4	1	Bore Plug Seal
5	1	Manifold Seal



= LUBRICATE ALL SEALS, O-RINGS, AND CYLINDER BORE WITH MAGNA-LUBE-G



= APPLY LOCTITE 222 TO FASTENER ITEM 3



For additional technical assistance, call or visit our website:

P.O. Box 9070, Fort Wayne, IN 46899
1-800-624-8511
www.phdinc.com