

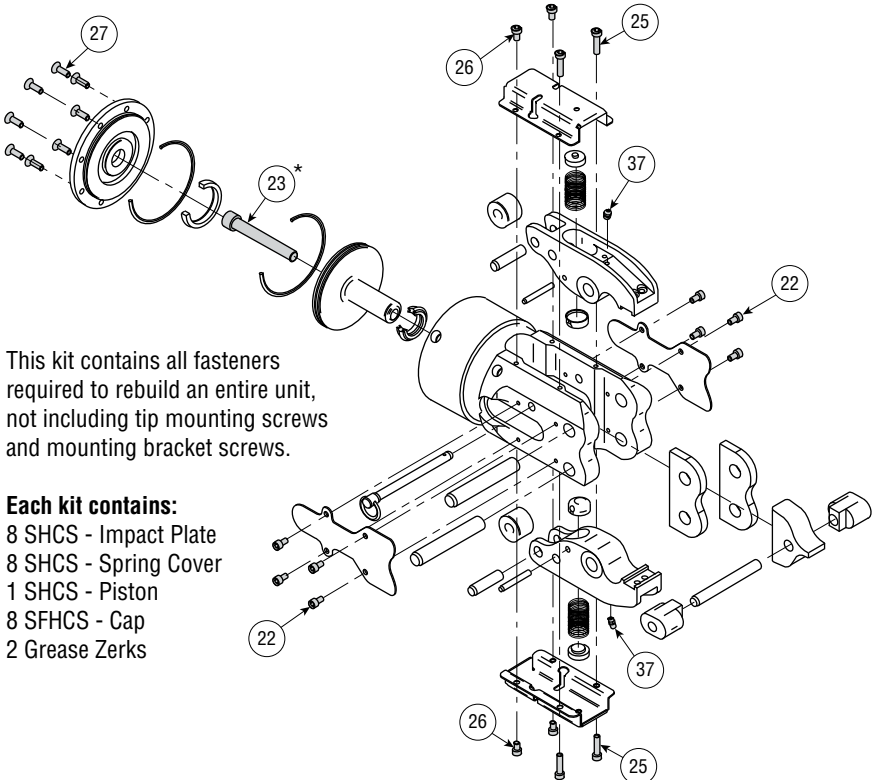
phd[®] SERIES PNC44 CLAMP FASTENER KIT #63097-01

REMOVAL/INSTALLATION PROCEDURE (KEY 25 & 26):

- 1) Remove all spring cover SHCS (26) before removing spring cover SHCS (25).
- 2) Install all spring cover SHCS (25) before installing spring cover SHCS (26).

KEY	DESCRIPTION	HEX SIZE	TIGHTENING TORQUE	
			in-lb	Nm
22	IMPACT PLATE SHCS (M6)	5 mm	85	9.5
23*	PISTON SHCS (M12)	10 mm	600	68
25, 26	SPRING COVER SHCS (M6)	5 mm	85	9.5
27	CAP SFHCS (M6)	4 mm	85	9.5
37	GREASE ZERK (M6)	7 mm	30	3.5

*Apply Loctite 242 to piston SHCS prior to assembly.



This kit contains all fasteners required to rebuild an entire unit, not including tip mounting screws and mounting bracket screws.

Each kit contains:

- 8 SHCS - Impact Plate
- 8 SHCS - Spring Cover
- 1 SHCS - Piston
- 8 SFHCS - Cap
- 2 Grease Zerks

For additional technical assistance, call or visit our website:

P.O. Box 9070, Fort Wayne, IN 46899
1-800-624-8511
www.phdinc.com

phd,inc.