

phd[®] SERIES PNC44/55 CLAMP SIDE MOUNTING PLATE KIT

This kit contains all components for use with the side mounting plate option.

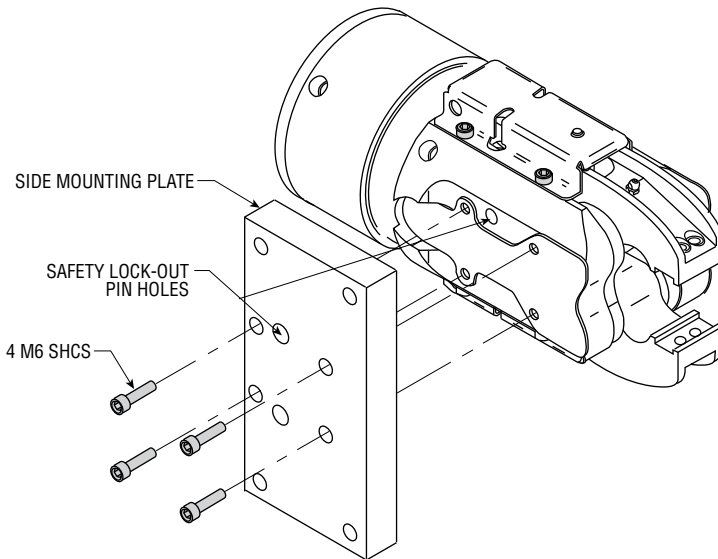
Each kit contains:

- 1 Side Mounting Plate
- 4 SHCS

UNIT DESCRIPTION	SIDE MOUNTING PLATE KIT NUMBER	SIDE MOUNTING PLATE SHCS (M6) HEX SIZE	TIGHTENING TORQUE	
			in-lb	Nm
PNC44/55 M	63099-03	5 mm	85	9.5

NOTES:

- 1) REMOVAL OF 4 SHCS IS REQUIRED BEFORE SIDE MOUNTING PLATE CAN BE ASSEMBLED.
- 2) SAFETY LOCK-OUT PIN (NOT SHOWN) CAN ONLY BE INSTALLED ON OPPOSITE SIDE OF SIDE MOUNTING PLATE.
- 3) ASSEMBLE SIDE MOUNTING PLATE TO UNIT SO THAT SAFETY LOCK-OUT PIN HOLE IN THE UNIT IS ALIGNED WITH THE HOLE IN THE MOUNTING PLATE.
- 4) SIDE MOUNTING PLATE CAN BE INSTALLED ON EITHER SIDE OF UNIT.



For additional technical assistance, call or visit our website:

P.O. Box 9070, Fort Wayne, IN 46899
1-800-624-8511
www.phdinc.com

phd,inc.