



# SERIES PNC44/55 CLAMP NON-SPHERICAL MOUNTING BRACKET KIT

## INSTALLATION PROCEDURE:

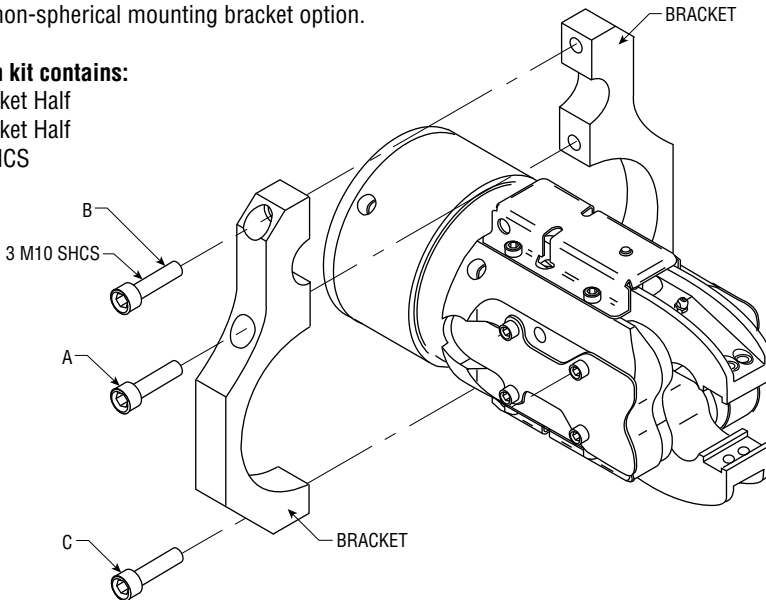
- 1) Insert body between non-spherical bracket halves.
- 2) Insert fasteners.
  - A) Tighten fastener A to specified torque. This will allow the clamp body and non-spherical mount free for adjustment into any position.
  - B) When the clamp body is in position, tighten fastener C until body no longer moves.
  - C) When the clamp is in position, tighten fastener B until non-spherical mount no longer moves.
  - D) Tighten fasteners B and C to specified torque.

UNIT DESCRIPTION	NON-SPHERICAL MOUNTING BRACKET KIT NUMBER	MOUNTING BRACKET SHCS (M10) HEX SIZE	TIGHTENING TORQUE	
			in-lb	Nm
PNC44/55 R	63099-01	8 mm	125	14.1
PNC44/55 V	63099-04	8 mm	125	14.1

This kit contains all components for use with the non-spherical mounting bracket option.

### Each kit contains:

Bracket Half  
Bracket Half  
3 SHCS



For additional technical assistance, call or visit our website:

P.O. Box 9070, Fort Wayne, IN 46899  
**1-800-624-8511**  
**www.phdinc.com**

